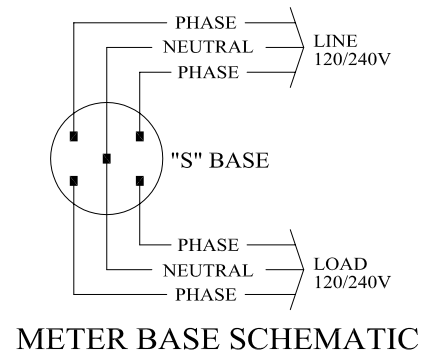
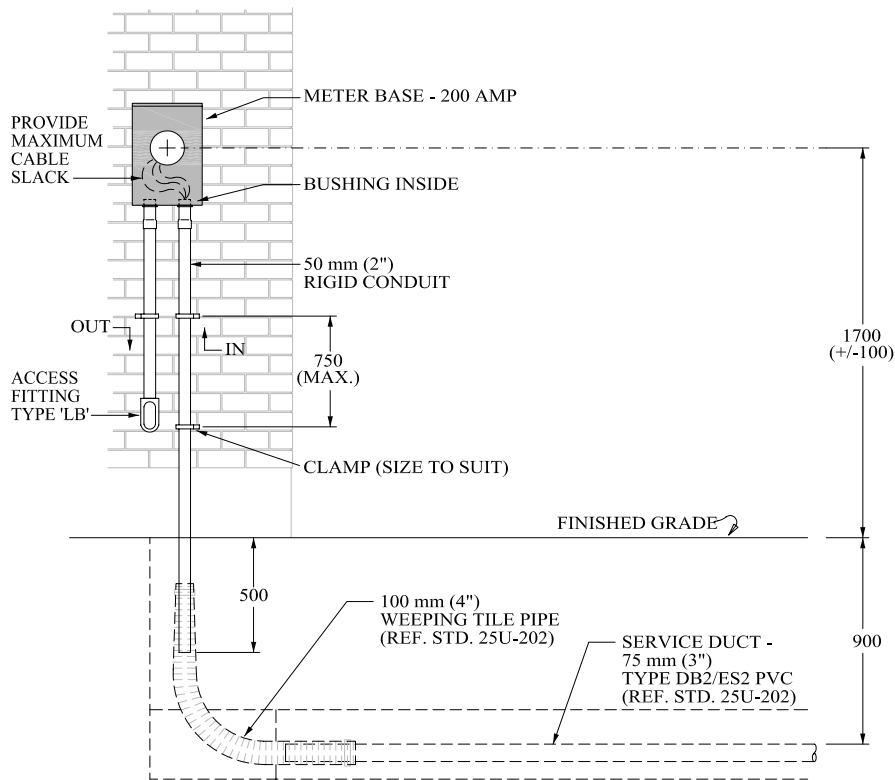


METRIC

LINEAR DIMENSIONS SHOWN IN MILLIMETRES

25U-220

R2 (MAR 2005)



NOTES:

1. THE 200 AMP METER BASE SHALL BE OF A TYPE APPROVED BY THE DISTRIBUTOR.
2. THE METER BASE SHALL BE SUPPLIED AND INSTALLED BY THE CUSTOMER.
3. ALL METER BASE INSTALLATION SHALL BE IN ACCORDANCE WITH THE ONTARIO ELECTRICAL SAFETY CODE.
4. THE SERVICE ROUTE AND METER BASE LOCATION SHALL BE AS PER STD. 25U-205 OR 25U-208.
5. THE SERVICE TRENCH INSTALLATION SHALL BE AS PER STD. 25U-202.
6. THE METER BASE SHALL BE MOUNTED BY MEANS OF FOUR (4) - #12 X 1.5" SCREWS C/W LEAD ANCHORS AND BELLEVILLE WASHERS.
7. ENSURE LIBERAL USE OF "PENETROX A" ON CONNECTION BETWEEN THE ALUMINUM CONDUCTORS/LUGS AND TERMINALS OF METER BASE.
8. ENSURE ALUMINUM CONNECTIONS ARE WELL TIGHTENED TO THE TERMINALS OF METER BASE (23 FT-LBS OF TORQUE).
9. THE SERVICE CONDUIT SHALL HAVE A PLASTIC (INSULATING) BUSHING INSIDE THE METER BASE.
10. NO ATTACHMENT SHALL BE PERMITTED TO THE CONDUITS.
11. THE METER BASE AND CONDUITS SHALL HAVE A 1.0 M RADIAL OBSTRUCTION FREE AREA FROM GAS METERS, COMMUNICATION STRUCTURES, FENCES, TREES, PLANTS, SHRUBS AND OTHER STRUCTURES THAT OWNERS MAY INSTALL.

RESIDENTIAL SECONDARY SERVICE INSTALLATION - 200 AMP, METER BASE

 **Milton Hydro Distribution Inc.**